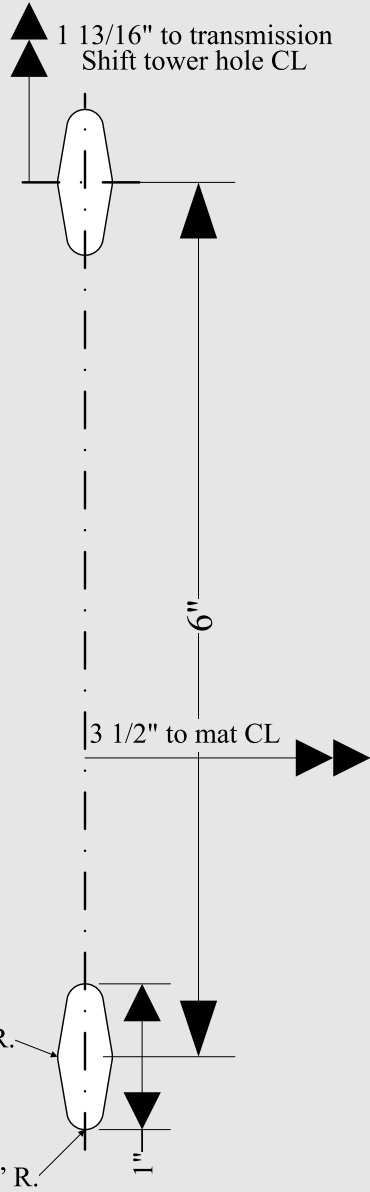
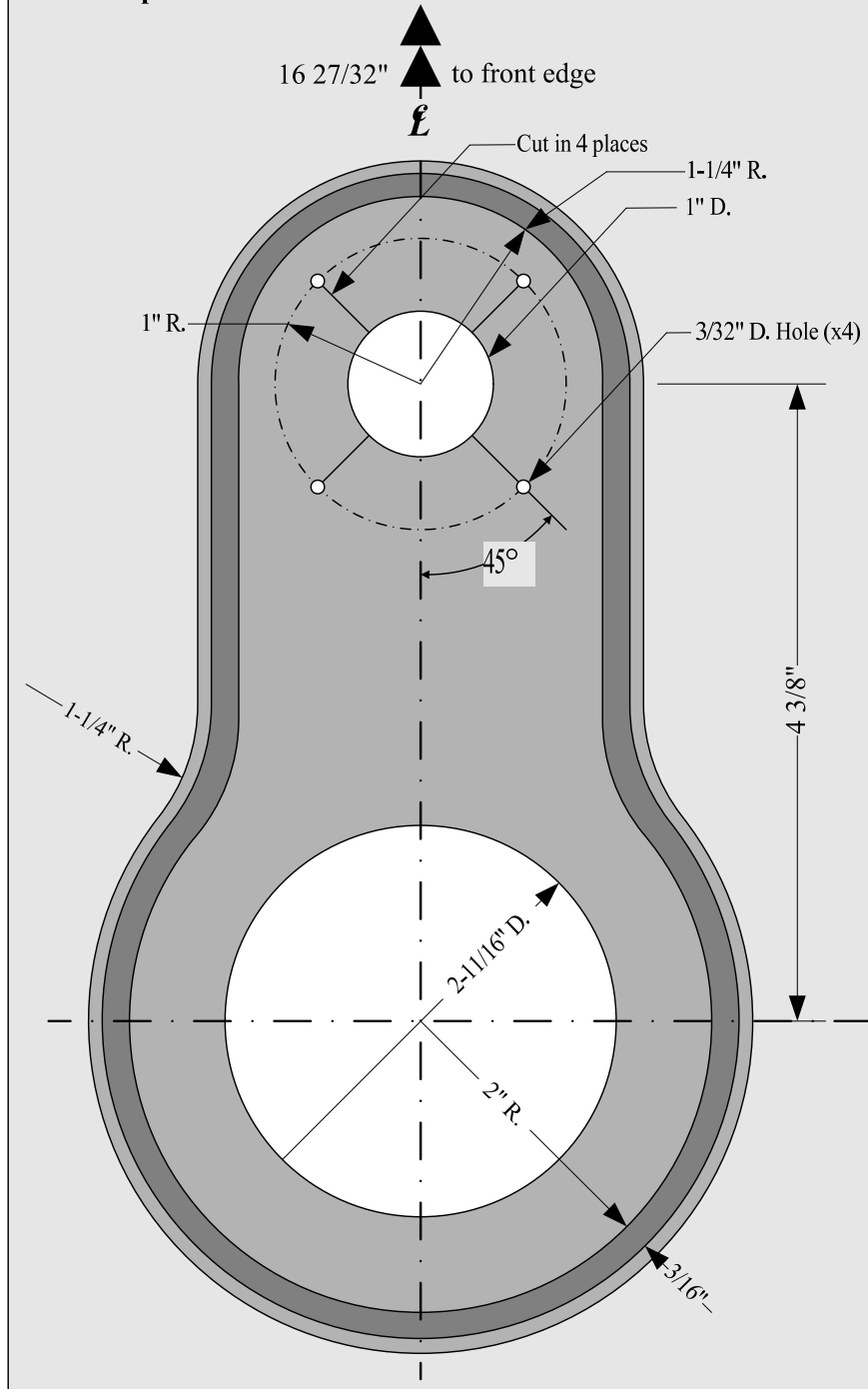


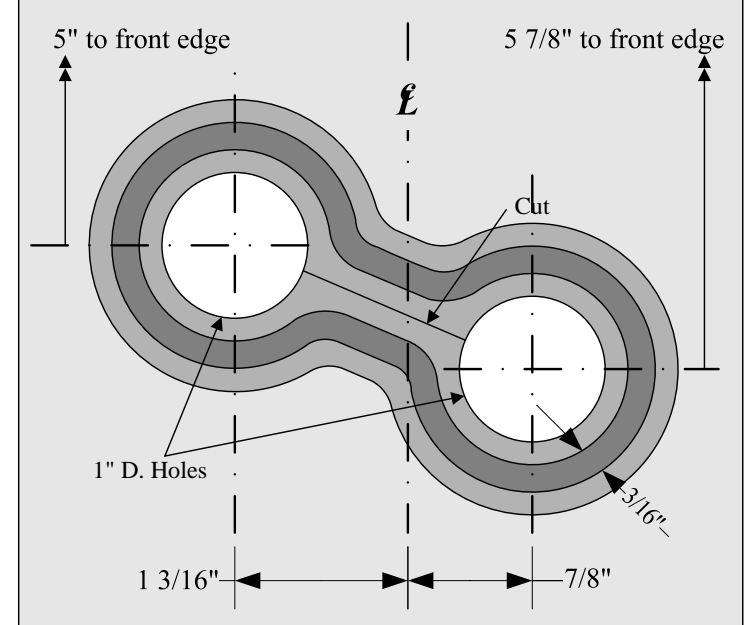
**AA-82161-B Floor Mat
dual high shift pedal holes**



**AA-82161-B & A-35230-B Floor Mat
3-Speed Transmission Tower & Hand Brake Lever Holes**



**AA-82161-B & A-35230-B Floor Mat
accelerator & foot rest holes**



Section AA

